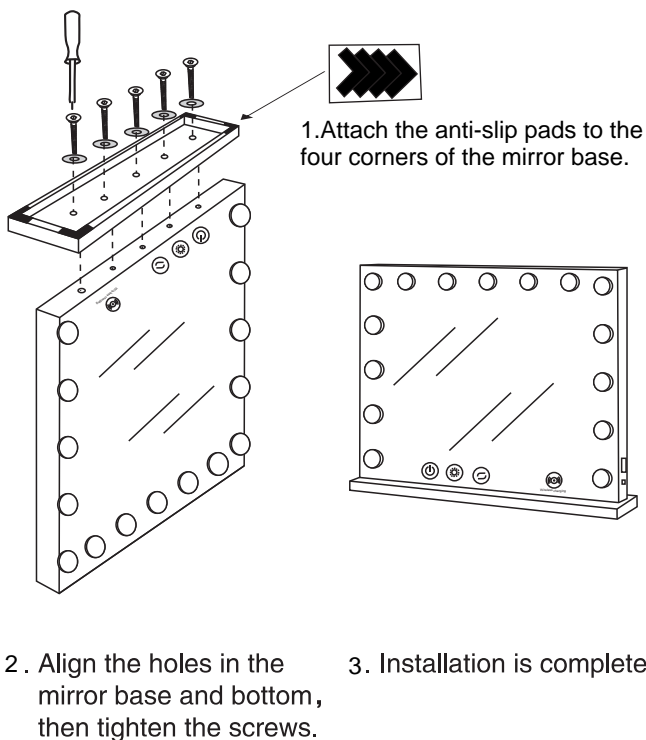


IMPORTANT, RETAIN FOR FUTURE REFERENCE: READ CAREFULLY

JMZMY

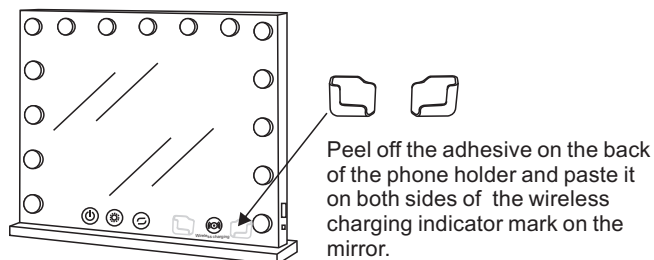
FTHKMR-6006

INSTALLATION 1

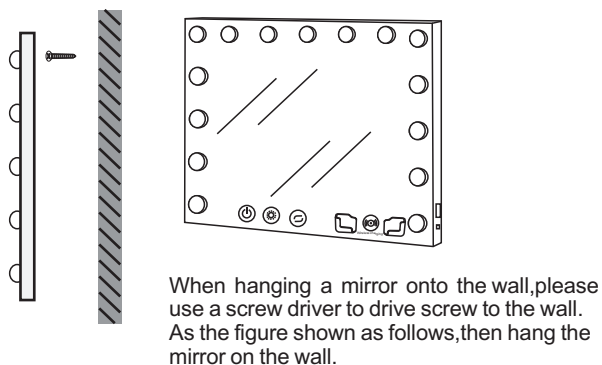


NOTE: The Type-C port is not available on iPhones.

INSTALLATION 2



INSTALLATION 3



INSTRUCTIONS



Press the button "C" choose the correct light color.

Cold White
Warm White
Warm Yellow



Touch one time for turning on light;
touch again for turning off light.

ON/OFF



Long press "☀️" button to change brightness.

Dimmable Light



Placing the phone in this position allows for wireless charging

Wireless charging

How To Operate The Bluetooth Touch Switch

The phone connects to BLUE-TOOTH

Note: The bluetooth operation can only be operated through mobile phone , not through buttons on the mirror.

PART LIST

